

Plasma/LCD Stands

Rental Series

Plasma Floor Stand



SPEC SHEET

Features

Simple and elegant design yet tough enough to handle the most demanding applications, the 8FSR 330i is ideally suited to the rental industry. Offering true value for money, this heavy duty stand will be suitable for many applications. With dual posts and flexibility in positioning.

Optional shelf for related equipment. Adjustable height and reversible - face forward or away from audience. Deep satin silver finish. Code 8FSLU SHELF.

Made by Gilkon in Australia.

PLASMA DISPLAY STAND RENTAL

Weight Capacity	50 Kg
Suitable for Screens	32" to 50"*
To Top of Screen Plate	1830 mm
Keyed Locks Included	
Code	8FSLR 330i

* Dimensions of LCD and plasma panels can vary. To ensure correct mounting plate is supplied, please advise panel size (diagonal) when ordering.



Screen not included



Optional Shelf



Manufactured & Distributed By:



PO Box 63
Moorebank NSW 1875
337 - 349 Newbridge Road
Moorebank NSW 2170

Tel: (02) 9914 0900
Fax: (02) 9914 0901
Email: sales@gilkon.com.au

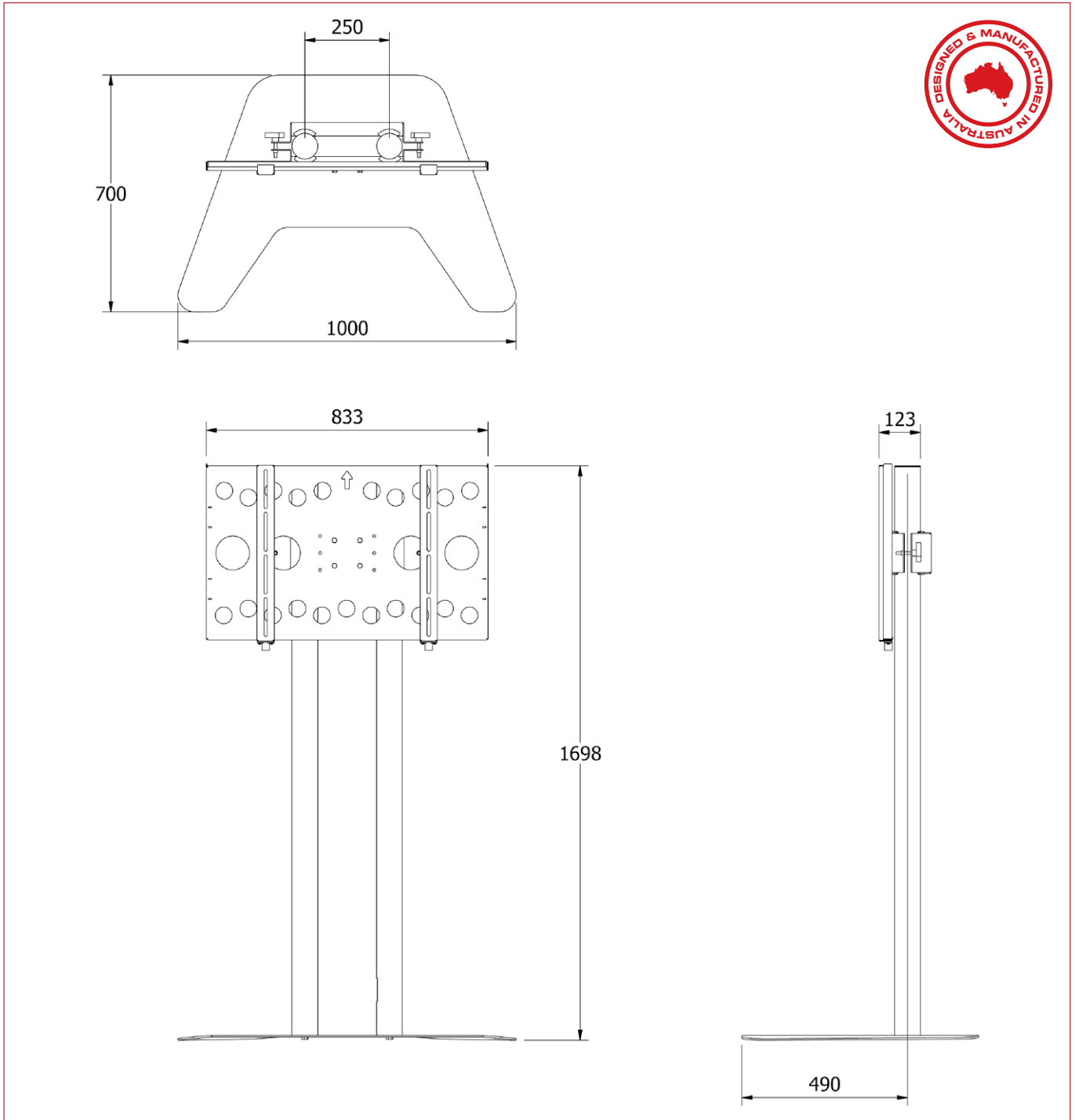
www.gilkonaxis.com.au

Plasma/LCD Stands
Rental Series
Plasma Floor Stand



SPEC SHEET

8FSR 330i



Manufactured & Distributed By:



PO Box 63
Moorebank NSW 1875
337 - 349 Newbridge Road
Moorebank NSW 2170

Tel: (02) 9914 0900
Fax: (02) 9914 0901
Email: sales@gilkon.com.au

www.gilkonaxis.com.au