

Plasma/LCD Stands

Premium Series

Mobile Plasma Stand

AXIS

by **GILKON**

SPEC SHEET

Features

Boardrooms, entrance lobbies, retail displays and many other facilities can be complimented with a plasma display mounted on Gilkon's Axis Mobile Plasma Display Stands. Available in two heights, these units will accommodate virtually any size display up to 80 kg.

Column has cable management. Includes bracket for plasma screen. Bracket can be secured with keyed push button locks to prevent theft. Silver pearl finish. Two accessory shelves to hold VCR, DVD and related equipment are included.

Made by Gilkon in Australia.



Screen not included

AXIS MOBILE PLASMA DISPLAY STANDS	
Weight Capacity	80 Kg
Suitable for Screens	32" to 50"
Floor to Midpoint of Display - Model 1	1244 mm
Floor to Midpoint of Display - Model 2	1644 mm
Keyed Locks Included	
Codes - Model 1	8FSM AXIS 1
- Model 2	8FSM AXIS 2



Manufactured & Distributed By:


WILSONGILKES
MANUFACTURING IDEAS

PO Box 63
Moorebank NSW 1875
337 - 349 Newbridge Road
Moorebank NSW 2170

Tel: (02) 9914 0900
Fax: (02) 9914 0901
Email: sales@gilkon.com.au

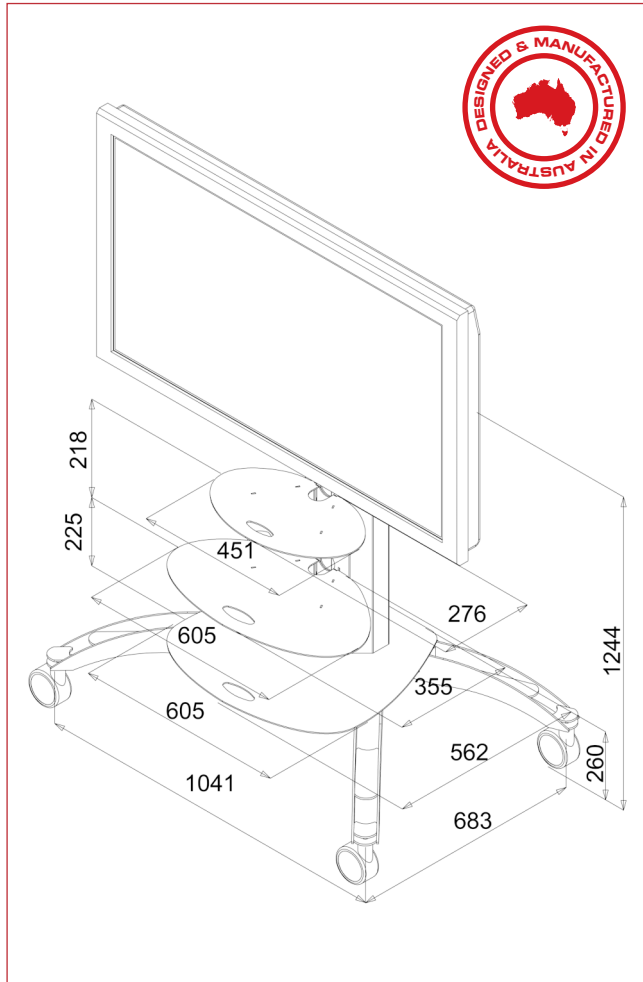
www.gilkonaxis.com.au

Plasma/LCD Stands
Premium Series
Mobile Plasma Stand

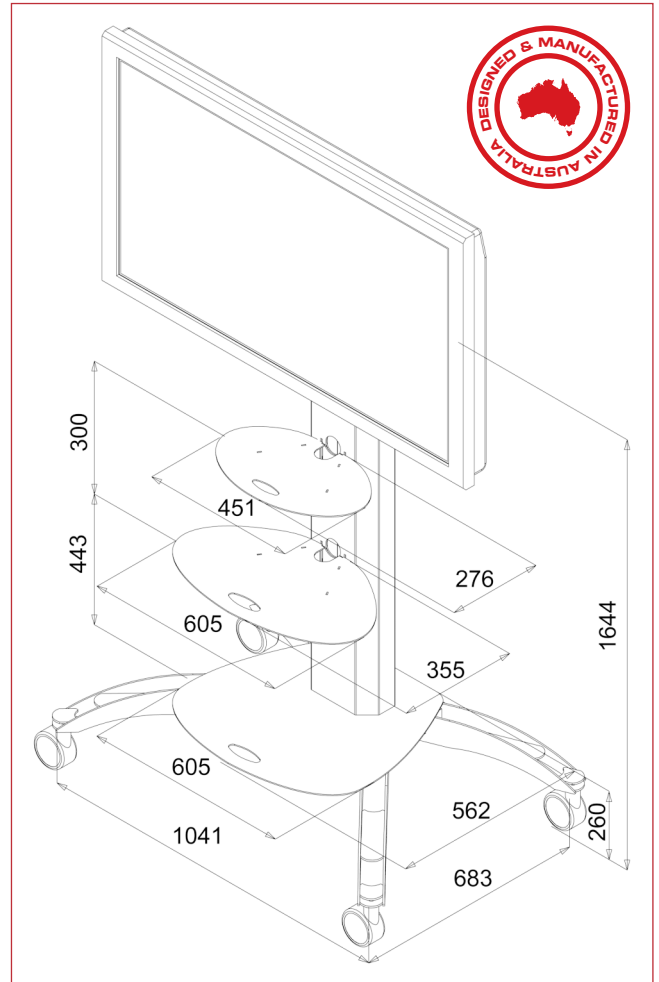


SPEC SHEET

8FSM AXIS I - 1244



8FSM AXIS 2 - 1644



Manufactured & Distributed By:



PO Box 63
 Moorebank NSW 1875
 337 - 349 Newbridge Road
 Moorebank NSW 2170

Tel: (02) 9914 0900
 Fax: (02) 9914 0901
 Email: sales@gilkon.com.au

www.gilkonaxis.com.au