

# Plasma/LCD Stands

## Premium Series

### Dual Mobile Plasma Stand with Cabinet



SPEC SHEET

#### Features

Designed to hold two plasma screens, Gilkon's Axis Dual Mobile Plasma Stand with Cabinet is ideal for **Video Conferencing** or any situation where a dual screen system is required. This unit will accommodate displays up to 120 kg combined.

Column has cable management. Includes brackets for plasma screens. Brackets can be secured with keyed push button locks to deter theft. Silver pearl finish. Lockable accessory cabinet to hold VCR, DVD and related equipment is included. Covers for cable access holes are supplied. Unique base design allows movement through doorways.

**Made by Gilkon in Australia.**



Screens not included

#### AXIS DUAL PLASMA DISPLAY STANDS

Weight Capacity	120 Kg
Suitable for Screens	42"
Floor to Midpoint of Display - Model I	1250 mm
Keyed Locks Included	
Code	8FSM AXIS IV
Other sizes available on request	

Manufactured & Distributed By:



PO Box 63  
Moorebank NSW 1875  
337 - 349 Newbridge Road  
Moorebank NSW 2170

Tel: (02) 9914 0900  
Fax: (02) 9914 0901  
Email: sales@gilkon.com.au

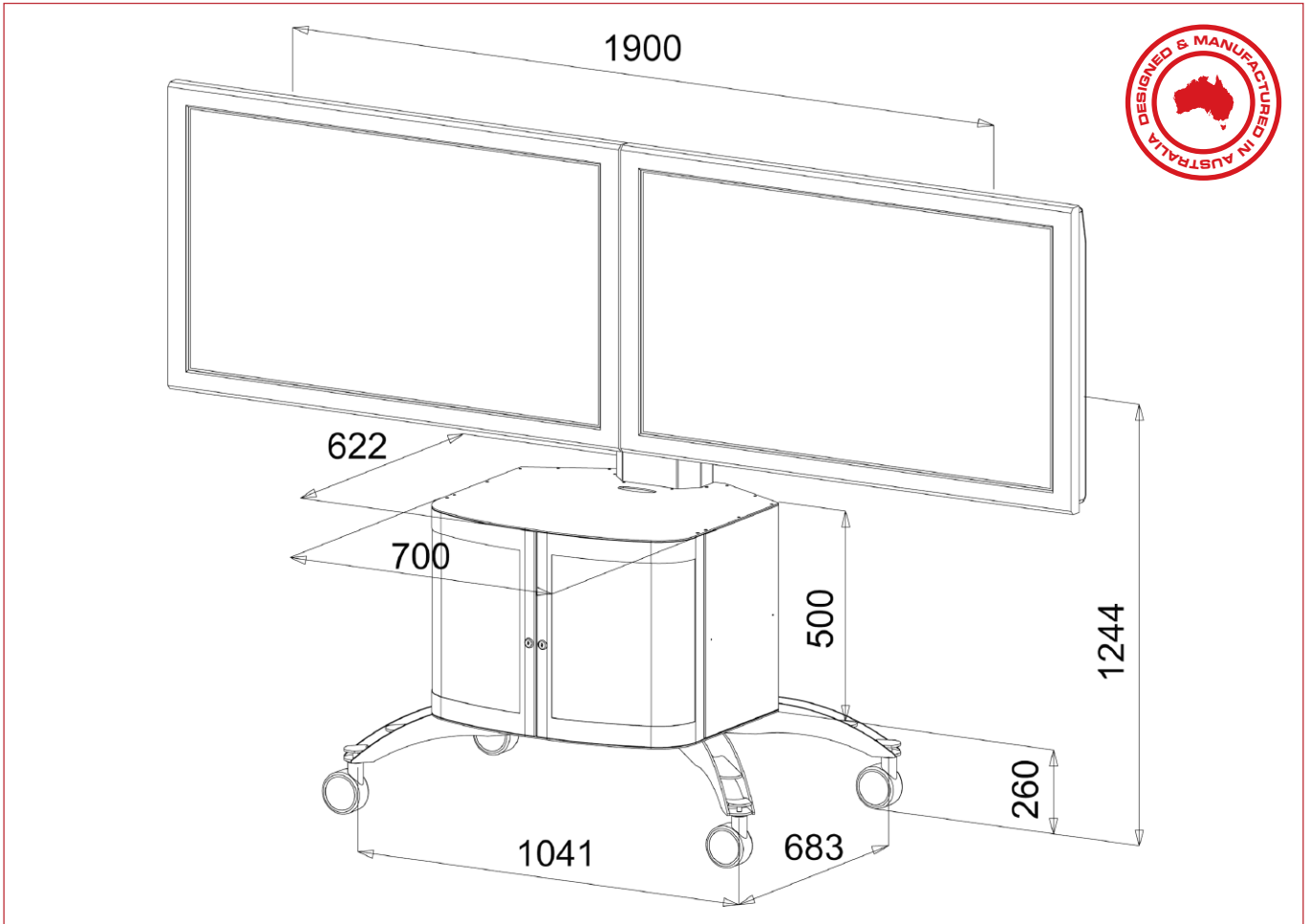
[www.gilkonaxis.com.au](http://www.gilkonaxis.com.au)

Plasma/LCD Stands  
Premium Series  
Dual Mobile Plasma Stand with Cabinet



SPEC SHEET

8FSM AXIS IV



Manufactured & Distributed By:



PO Box 63  
Moorebank NSW 1875  
337 - 349 Newbridge Road  
Moorebank NSW 2170

Tel: (02) 9914 0900  
Fax: (02) 9914 0901  
Email: sales@gilkon.com.au

[www.gilkonaxis.com.au](http://www.gilkonaxis.com.au)